

3/2 DIRECT ACTING, UNIVERSAL, ULTRA LOW POWER SOLENOID VALVE



3/2 DIRECT ACTING, UNIVERSAL, ULTRA LOW POWER SOLENOID VALVE

| | |
|---------------------|---|
| Type | : P3017V01 (with Round Body) P3017V01-R (with Rectangle Body) |
| Product Description | : 3/2 Direct Acting, Universal, Ultra Low Power Solenoid Valve |
| Application | : NC/NO/Mixing / Diverting |
| Orifice | : 5 mm |
| Flow factor | : 7 lpm |
| Body Material | : Brass/ SS316 |
| Seal Material | : NBR, EPDM, Viton |
| Port Connection | : 1/4"NPT (F), 1/4"BSP (F) |
| Media | : Air, Water, Gas, Liquid, Oil. |
| Working Pressure | : 0-10 bar |
| Response | : ON – 50 ms |
| Working Pressure | : OFF – 20 ms |

Solenoid:

| | |
|---------------------|---|
| Code | : 87 |
| Voltage | : 24V |
| Current | : DC |
| Class of Insulation | : H |
| Type of Enclosure | : Weather proof / Explosion proof |
| Cable Entry | : M25x1.5 (F) Optionally Provided -1/2"NPT (F)/ M25x1.5 (F) 3/4"NPT (F) with Ex Adapter |
| Power | : 1 Watt |
| Degree Protection | : IP67 |
| Approvals | : ATEX, IECEX, INMETRO, KOSHA, PESO/CCOE, CuTR |

3/2 DIRECT ACTING, UNIVERSAL, ULTRA LOW POWER SOLENOID VALVE

EXPLOSION PROOF JUNCTION BOX SOLENOID (BCE) TYPE : 87

Ex d

MARKING

| Temperature Class | Ambient |
|---|-----------------------|
| ATEX, IECEx | |
| II 2GD Ex d IIC T6 Gb Ex tb IIIC T80 °C Db IP67 | - 60 °C < Ta < XX °C |
| II 2GD Ex d IIC T5 Gb Ex tb IIIC T95 °C Db IP67 | - 60 °C < Ta < XX °C |
| II 2GD Ex d IIC T4 Gb Ex tb IIIC T130 °C Db IP67 | - 60 °C < Ta < XXX °C |
| II 2GD Ex d IIC T3 Gb Ex tb IIIC T155 °C Db IP67 | - 60 °C < Ta < XXX °C |
| INDIAN, DGMS, CCOE | |
| Ex d IIC T6 Gb Ex tb IIIC T80 °C Db IP67/ IP67 M/IP68 | - 60 °C < Ta < XX °C |
| Ex d IIC T5 Gb Ex tb IIIC T95 °C Db IP67/ IP67 M/IP68 | - 60 °C < Ta < XX °C |
| Ex d IIC T4 Gb Ex tb IIIC T130 °C Db IP67/ IP67 M/IP68 | - 60 °C < Ta < XXX °C |
| Ex d IIC T3 Gb Ex tb IIIC T155 °C Db IP67/ IP67 M/IP68 | - 60 °C < Ta < XXX °C |
| CU-TR | |
| Ex d IIC T6 IP67 Ex tb IIIC T80 °C Db IP67 | - 60 °C < Ta < 70 °C |
| Ex d IIC T5 IP67 Ex tb IIIC T95 °C Db IP67 | - 60 °C < Ta < 70 °C |
| Ex d IIC T4 IP67 Ex tb IIIC T130 °C Db IP67 | - 60 °C < Ta < 100 °C |
| Ex d IIC T3 IP67 Ex tb IIIC T155 °C Db IP67 | - 60 °C < Ta < 100 °C |

AMBIENT TEMPERATURE

| SIZE | MAX. POWER | MAX. AMBIENT TEMPERATURE °C | | | |
|------|------------|-----------------------------|----|-----|----|
| | | T6 | T5 | T4 | T3 |
| IV | 5 | 70 | 85 | 100 | |
| | 11 | 65 | 80 | 100 | |

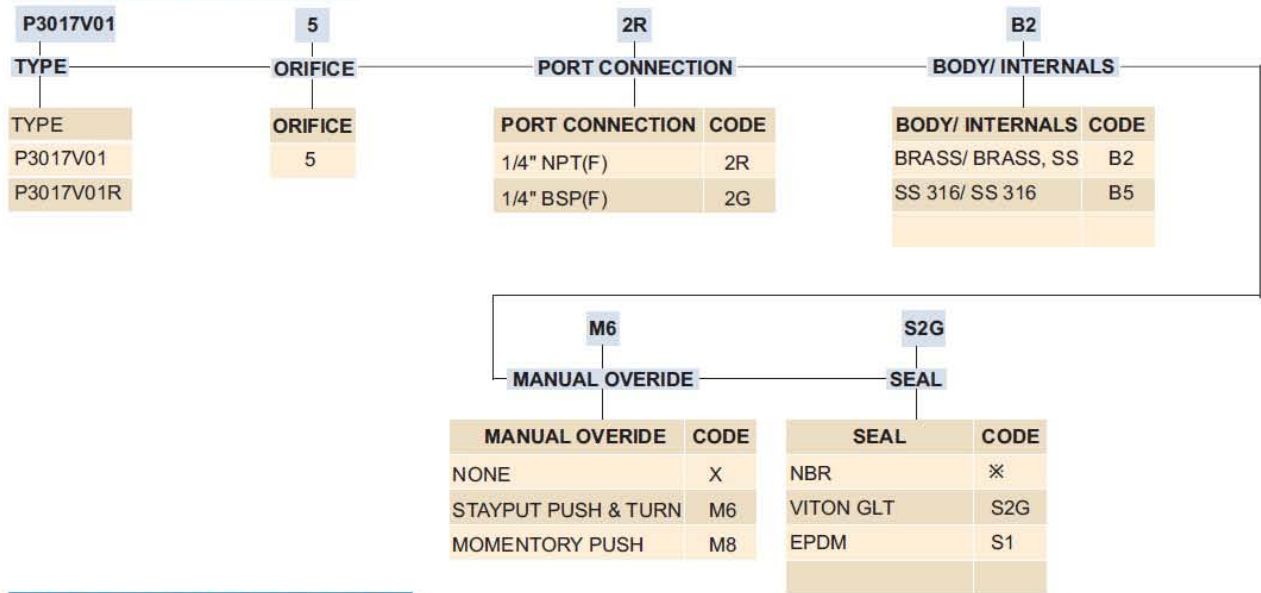
3/2 DIRECT ACTING, UNIVERSAL, ULTRA LOW POWER SOLENOID VALVE

FLUID & SEAL COMPATABILITY MEDIA

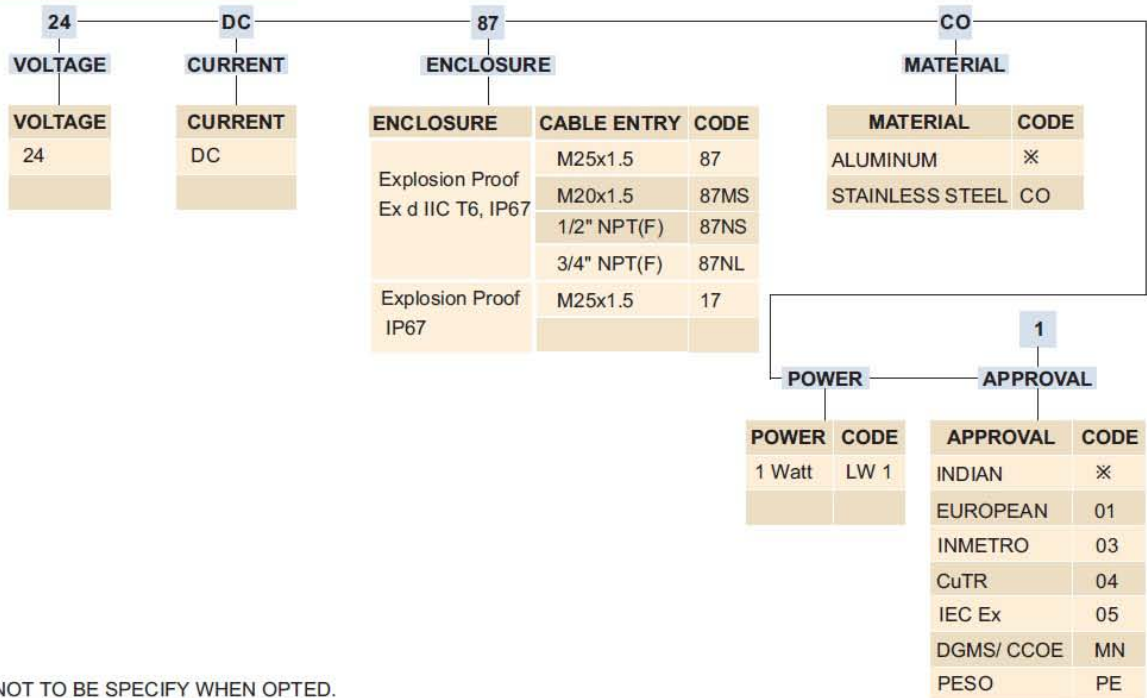
| Seals | Fluid/ Ambient Temperature | Air | Inert Gas | LPG | Vaccum | Water | Lubricating Oil | Petrol | Diesel | Kerosene |
|----------------|----------------------------|-----|-----------|-----|--------|-------|-----------------|--------|--------|----------|
| NBR | -25 °C to 75 °C | ✓ | ✓ | | ✓ | ✓ | | | | |
| EPDM | -50 °C to 140 °C | ✓ | ✓ | | ✓ | ✓ | | | | |
| Viton GLT | -40 °C to 160 °C | ✓ | ✓ | ✓ | ✓ | | ✓ | ✓ | ✓ | ✓ |
| Flouro Silicon | -60 °C to 160 °C | ✓ | ✓ | | | | | | | |

ORDERING CODE VALVE + SOLENOID

ORDERING CODE VALVE

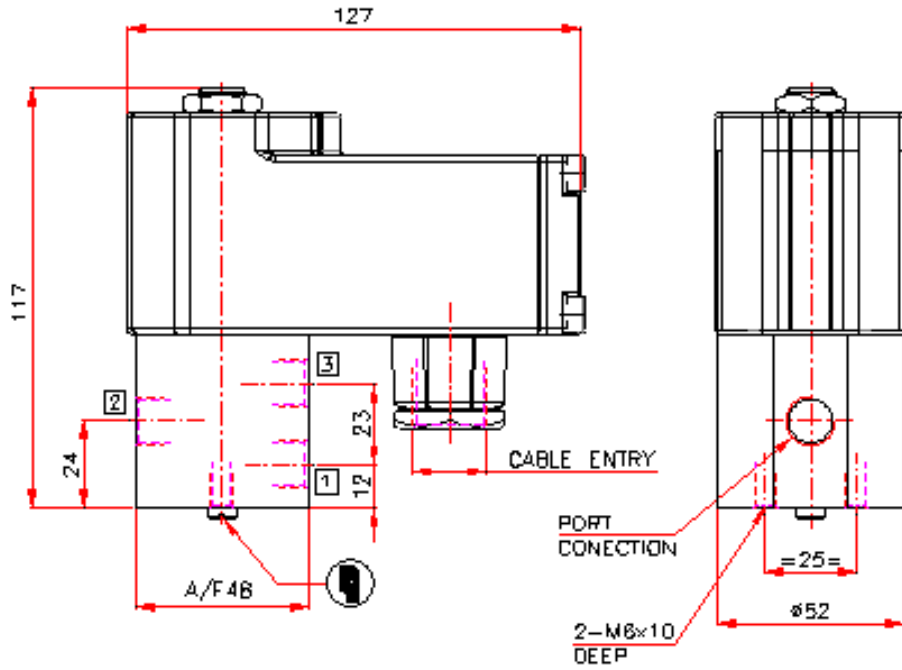


ORDERING CODE SOLENOID

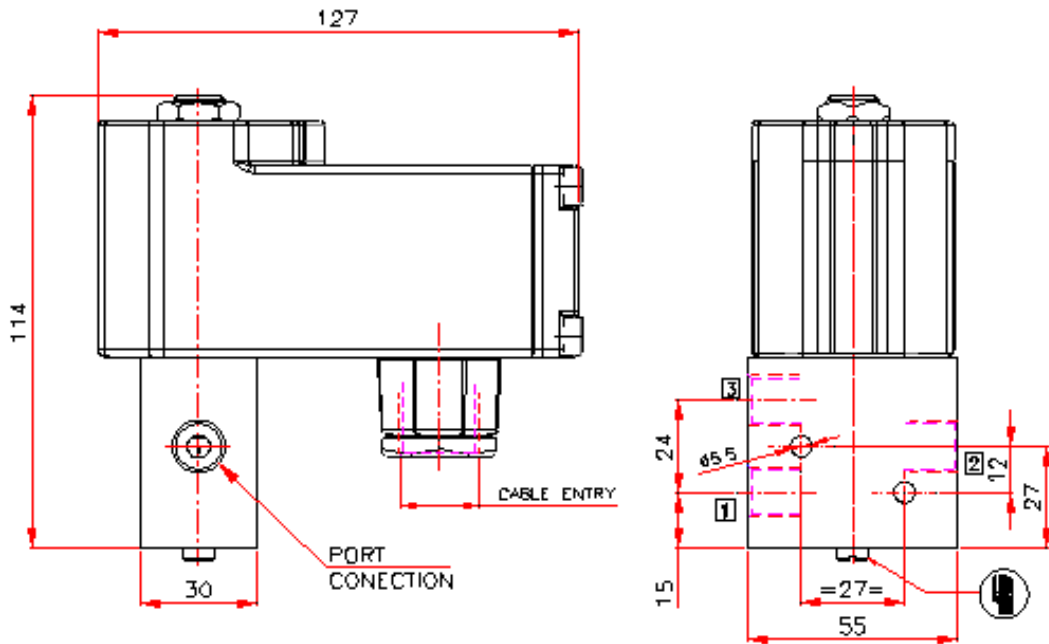


※ NOT TO BE SPECIFY WHEN OPTED.

3/2 DIRECT ACTING, UNIVERSAL, ULTRA LOW POWER SOLENOID VALVE



P3017V01 (with Round Body)



P3017V01-R (with Rectangle Body)