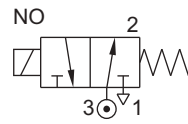


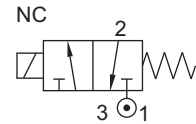
3/2 DIRECT ACTING, NC/ NO HIGH PRESSURE (150 bar) SOLENOID VALVE

TYPE	PRESSURE

TYPE	PRESSURE
30252	0 - 150 bar



TYPE	PRESSURE
30152	0 - 150 bar



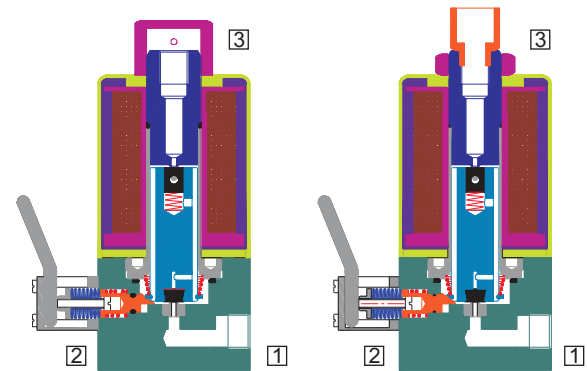
FEATURES

- Bubble tight shut off
- Mounts in any position
- Suitable for Vacuum up to 10^{-6} torr
- Vibration resistance up to 9g
- Suitable for high speed cycling
- Speed up to 300 cycles/ min
- Life >10 million cycles
- Manual override optionally provided



WETTED PARTS

Code	※		B5
Body	Anodized Aluminium		SS 316
Internals	Aluminium		SS 316
Guide Assembly	SS 304		
Shadow-Ring	None		
Plunger, Insert	SS 430		
Spring	SS 302		
Seat, Seals	PTFE + Viton		
Fastener	SS 304		



AMBIENT TEMPERATURE

-30 °C to 75 °C

SPECIAL VERSION AND SUFFIX

Suffix : (Valve) AM
Special version : (Solenoid) CO, FR, SS, LC

MEDIA

Air, Inert Gases

APPLICATION

High Pressure Application

PORT CONNECTION

FUNCTION	INLET	OUTLET	EXHAUST
NC	1	2	3
NO	3	2	1

Contact Rotex for

- Any other ambient, fluid temperature, media and application
- Media like Water, Light Oil etc.



SPARES

(Refer page 25 for ordering code)

SPARE KIT	CODE
Seal Kit : Oring Set and Plunger Assembly	98
Repair Kit : Oring Set, Plunger Assembly, Springs, Manual Override, Guide Assembly	99
Solenoid Kit : Solenoid, Gasket and Nut	34

APPROVAL

(★ applied for)

Approval	TYPE 4X, 6P	IP67	Ex d IIC T4 or T5 or T6 IP66	Ex ia IIC T6 IP67	DGMS	CCOE
		✓	✓	✓	✓	✓
CE		✓	✓	✓		
UL	✓		*			
			✓	✓		
EAC			✓	✓		
			✓	✓		



3/2 DIRECT ACTING, NC/ NO HIGH PRESSURE (150 bar) SOLENOID VALVE

SPECIFICATION

PORT CONNECTION	PRE-SSURE bar	VALVE TYPE	PILOT PRESSURE	BODY MATERIAL AND INTERNALS		SEALS				MANUAL OVERRIDE		SOLENOID ENCLOSURE		SUFFIX		POWER VA		CONSTRUCTION REFERENCE NUMBER
				ALUMINIUM	ALUMINIUM + SS	NBR	Viton	EPDM	HYTREL	PTFE	NIL	STAYPUT CUM MOMENTARY	MOMENTARY	WEATHER PROOF	EXPLOSION PROOF	OXYGEN	AMONIA	

3/2 NORMALLY CLOSED

1/4"	2R	0	150	0.8	0.6	30152	*	B5	*	*	M11 M4	25	T	E	18	✓	13	13	13	363
------	----	---	-----	-----	-----	-------	---	----	---	---	--------	----	---	---	----	---	----	----	----	-----

3/2 NORMALLY OPEN

1/4"	2G	2R	0	150	0.8	0.6	30252	*	B5	*	*	M11 M4	25	T	E	18	✓	13	13	13	363
------	----	----	---	-----	-----	-----	-------	---	----	---	---	--------	----	---	---	----	---	----	----	----	-----

Cable Entry	T	OC/A	OC/AE	OC/A{ a
M20 x 1.5	FJ	HU	ITU	ITU
M25 x 1.5		II	II	II
1/2" NPT	FI	HI	IPU	IPU

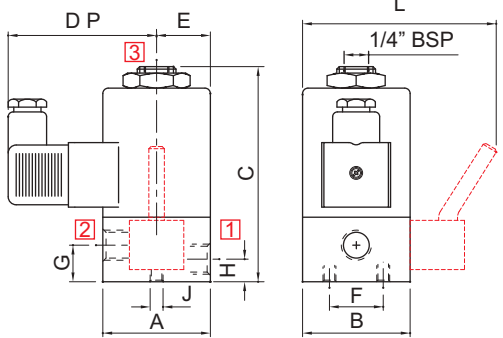
* = Do not specify when opted for. Refer Page # 22 for Value of *
 ✓ = Options available

ORDERING CODE AND EXAMPLE VALVE + SOLENOID

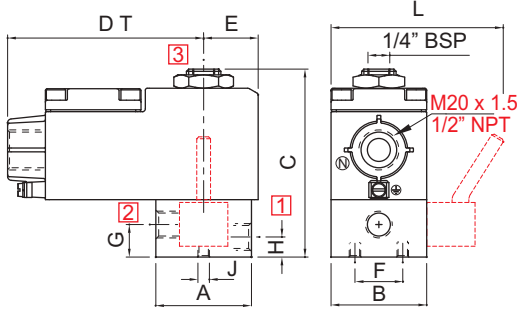
TYPE - SUFFIX - ORIFICE - PORT CONNECTION - BODY AND INTERNALS - MANUAL OVERRIDE - SEAL + SIZE - VOLTAGE - CURRENT - SOLENOID ENCLOSURE - APPROVAL - INSULATION - SPECIAL VERSION
 e.g. 30152-0.8-2R-B2-M4+220V 50Hz-25

DIMENSIONS

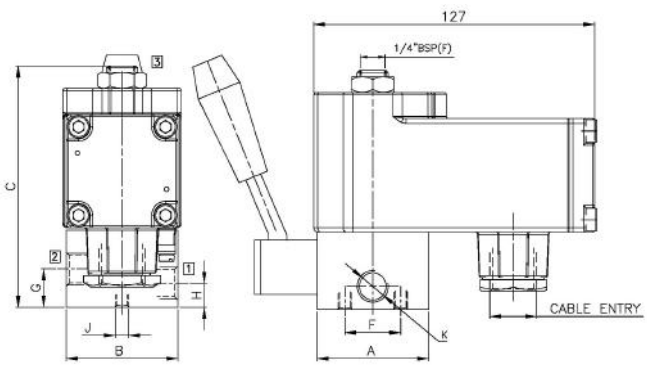
All Dimensions are in mm



MANUAL OVERRIDE OPTIONALLY PROVIDED
SQ. PLUG IN SOLENOID TYPE 25



MANUAL OVERRIDE OPTIONALLY PROVIDED
TERMINAL BOX/Ex d TYPE 16, 19, 37, 39, 58, 58LT, LC



BCE SOLENOID/ Ex d TYPE 87

K (PORT SIZE)	A	B	C	DP	DT	E	F	G	H	J	L	CONST. REF.
VALVE TYPE : 30152 (WITH MA)												
1/4"	50	50	101	68	103	25	25	17	11	M6	90	363
VALVE TYPE : 30152												
1/4"	50	50	101	68	103	25	25	17	11	M6	Ø50	363

