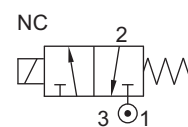


3/2 DIRECT ACTING, NC/ NO SUBBASE MOUNTED SOLENOID VALVE

TYPE	PRESSURE

TYPE	PRESSURE
30111	0 - 20 bar
30112	0 - 63 bar

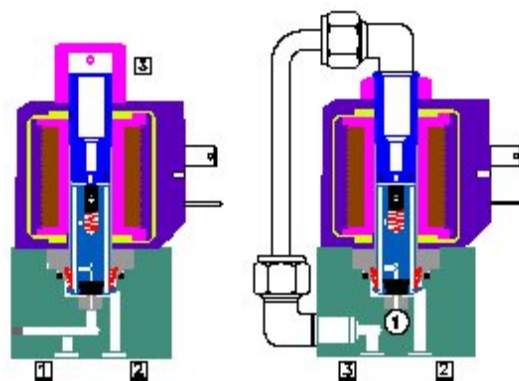


FEATURES

- Bubble tight shut off
- Mounts in any position
- Vibration resistance up to 9g
- Suitable for high speed cycling
- Speed up to 1000 cycles/ min
- Life >10 million cycles
- O Rings and fasteners supplied loose with the valve

WETTED PARTS

Code	✕		B5
Body	Anodized Aluminium		SS 316
Internals	Aluminium		SS 316
Guide Assembly	SS 304		
Shadow-Ring	Copper/ Silver/ None		
Plunger, Insert	SS 430		
Spring	SS 302		
Fasteners	SS 304		
Seat, Seals	NBR, Viton, EPDM, PTFE		



AMBIENT AND FLUID TEMPERATURE

-30 °C to 75 °C

SPECIAL VERSION AND SUFFIX

Suffix : (Valve) OX, AM
 Special version : (Solenoid) CO, FR, SS, LC, III

MEDIA

Air, Inert Gases

APPLICATION

Actuation of single acting cylinder actuator control valve actuation

PORT CONNECTION

FUNCTION	INLET	OUTLET	EXHAUST
NC	1	2	3
NO	3	2	1

Contact Rotex for

- Any other ambient, fluid temperature, media and application
- UL listed, Listed general purpose Valve
- Media like Water, Light Oil etc.

SPARES

(Refer page 25 for ordering code)

SPARE KIT	CODE
Seal Kit : Oring Set and Plunger Assembly	98
Repair Kit : Oring Set, Plunger Assembly, Fastener, Springs, Manual Override Guide Assembly	99
Solenoid Kit : Solenoid, Gasket and Nut	34

APPROVAL

(* applied for)

Approval	TYPE 4X, 6P	IP67	Ex d IIC T4 or T5 or T6 IP66	Ex ia IIC T6 IP67	DGMS	CCOE
		✓	✓	✓	✓	✓
CE		✓	✓	✓		
UL	✓		*			
			✓	✓		
EAC			✓	✓		
			✓	✓		



Select Manifold type MF001/ MF002/ MF011/ MF012/ MF016



3/2 DIRECT ACTING, NC/ NO SUBBASE MOUNTED SOLENOID VALVE

SPECIFICATION

PORT CONNECTION			PRE-SSURE bar		ORIFICE (mm)	FLOW FACTOR kv (LPM OF WATER @ 1 bar ΔP)	VALVE TYPE	PILOT PRESSURE	BODY MATERIAL AND INTERNALS					SEALS					MANUAL OVERRIDE			SOLENOID ENCLOSURE				SUFFIX		POWER VA		CONSTRUCTION REFERENCE NUMBER
SIZE	BSP(F)	NPT(F)	MINIMUM	MAXIMUM					ALUMINIUM	ALUMINIUM + SS	BRASS	SS 316/ CF8	NBR	Viton	EPDM	HYTREL	PTFE	NIL	STAYPUT CUM MOMENTARY	MOMENTARY	FLYING LEAD	PLUG IN, IP67	SQ. PLUG IN, IP67	TERMINAL BOX IP67	EXPLOSION PROOF IIC, IP67	LARGE ENCLOSURE	SOLENOID SIZE	OXYGEN	AMONIA	

3/2 NORMALLY CLOSED

SB	0	4	3	4	30111	*			B5	*	S2	S1		*	M6	M8		22	25	T	E	III	14	✓	18	12	8	704	
	0	6	2.5	3.5	30111	*			B5	*	S2	S1		*	M6	M8		22	25	T	E	III	14	✓	18	12	8	704	
	0	8	2.2	2.5	30111	*			B5	*	S2	S1		*	M6	M8		22	25	T	E	III	14	✓	18	12	8	704	
	0	10	1.8	1.8	30111	*			B5	*	S2	S1		*	M6	M8		22	25	T	E	III	14	✓	18	12	8	704	
	0	12	3	4	30112	*			B5	*	S2	S1		*	M6	M8			25	T	E		18	✓	13	13	13	705	
	0	16	2.5	3.5	30112	*			B5	*	S2	S1		*	M6	M8			25	T	E		18	✓	13	13	13	705	
	0	20	1.2	0.7	30111	*			B5	*	S2	S1		*	M6	M8		22	25	T	E	III	14	✓	18	12	8	704	
	0	25	2.2	2.5	30112	*			B5	*	S2	S1		*	M6	M8			25	T	E		18	✓	13	13	13	705	
	0	32	1.8	1.8	30112	*			B5	*	S2	S1		*	M6	M8			25	T	E		18	✓	13	13	13	705	
	0	63	1.2	0.7	30112V1	*			B5					S8	*				25	T	E		18	✓	13	13	13	705	
SB1	CNO	MO	0	10	1.8	1.8	30111	*						*	M6	M8		22	25	T	E		14	✓	18	12	8	703	
			0	150	0.8	30112V1				*				S8															

3/2 NORMALLY OPEN

--	--	--	--	--	--	--	--	--	--	--	--	--	--	--	--	--	--	--	--	--	--	--	--	--	--	--	--

Cable Entry	T	E	
		Oc/A	Oc/A
M20 x 1.5	FJ	HU	ITU
M25 x 1.5		II	II
1/2" NPT	FI	IIpU	IIpU

* = Do not specify when opted for. Refer Page # 22 for Value of *
✓ = Options available

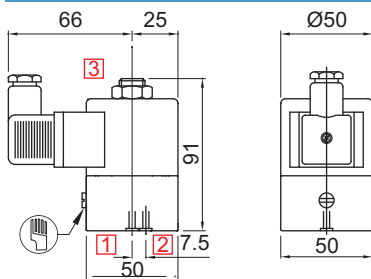
ORDERING CODE AND EXAMPLE VALVE + SOLENOID

TYPE - SUFFIX - ORIFICE - PORT CONNECTION - BODY AND INTERNALS - MANUAL OVERRIDE - SEAL + SIZE - VOLTAGE - CURRENT - SOLENOID ENCLOSURE - APPROVAL - INSULATION - SPECIAL VERSION
e.g. 30111-1.8-SB-M6+110V 50Hz-22

DIMENSIONS

All Dimensions are in mm

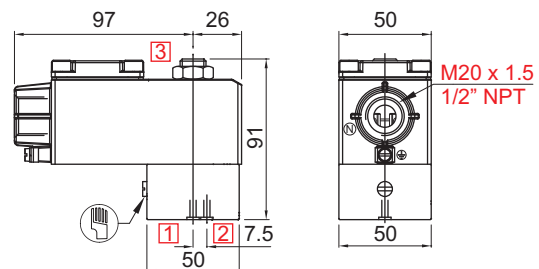
CONSTRUCTION REFERENCE : 703



PLUG IN SOLENOID TYPE 22/ 25

MANUAL OVERRIDE OPTIONALLY PROVIDED.

CNOMO MOUNTING



TERMINAL BOX/ Ex d LARGE ENCLOSURE, TYPE 16, 19, 37, 39, 58, 58LT

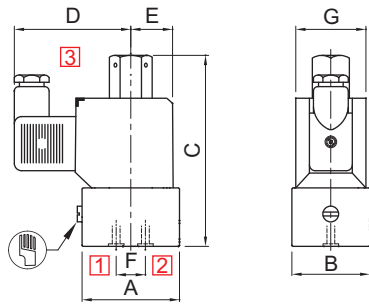
MANUAL OVERRIDE OPTIONALLY PROVIDED.



3/2 DIRECT ACTING, NC/ NO SUBBASE MOUNTED SOLENOID VALVE

DIMENSIONS

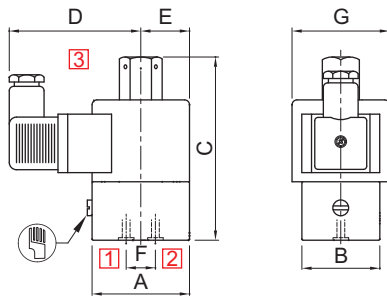
All Dimensions are in mm



MANUAL OVERRIDE OPTIONALLY PROVIDED.

PLUG IN SOLENOID TYPE 25

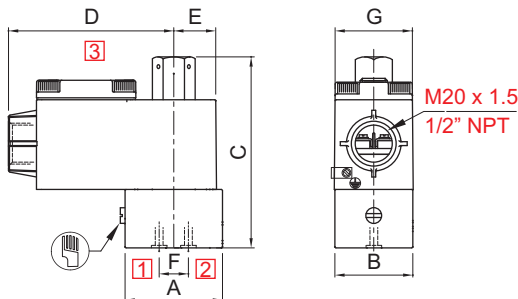
K (PORT SIZE)	A	B	C	D	E	F	G	CONST. REF.
VALVE TYPE : 30111								
SUBBASE	50	40	87	60	22	15	36	704



MANUAL OVERRIDE OPTIONALLY PROVIDED.

SQ. PLUG IN SOLENOID TYPE 25

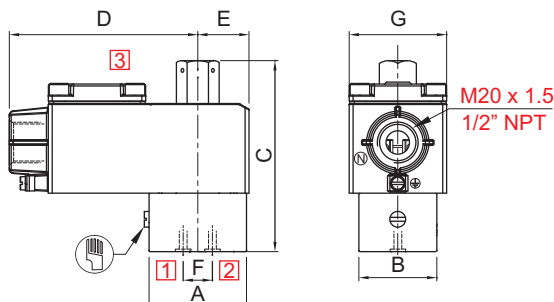
K (PORT SIZE)	A	B	C	D	E	F	G	CONST. REF.
VALVE TYPE : 30111								
SUBBASE	50	40	87	66	25	15	Ø50	704
VALVE TYPE : 30112								
SUBBASE	50	50	104	66	25	15	Ø50	705



MANUAL OVERRIDE OPTIONALLY PROVIDED.

TERMINAL BOX/ Ex d TYPE 16, 19, 37, 39, 58, 58LT

K (PORT SIZE)	A	B	C	D	E	F	G	CONST. REF.
VALVE TYPE : 30111								
SUBBASE	50	40	87	85	22	15	41	704



MANUAL OVERRIDE OPTIONALLY PROVIDED.

TERMINAL BOX/ Ex d LARGE ENCLOSURE TYPE 16, 19, 37, 39, 58, 58LT, LC

K (PORT SIZE)	A	B	C	D	E	F	G	CONST. REF.
VALVE TYPE : 30111								
SUBBASE	50	40	87	97	26	15	50	704
VALVE TYPE : 30112								
SUBBASE	50	50	104	97	26	15	50	705