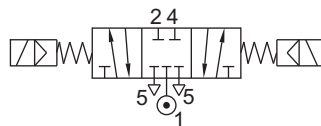
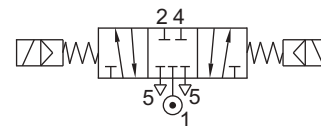


5/3 INTERNAL PILOT OPERATED, CENTER OFF POPPET SOLENOID VALVE

TYPE	PRESSURE
51412	3 - 10 bar



TYPE	PRESSURE
51408	2 - 10 bar



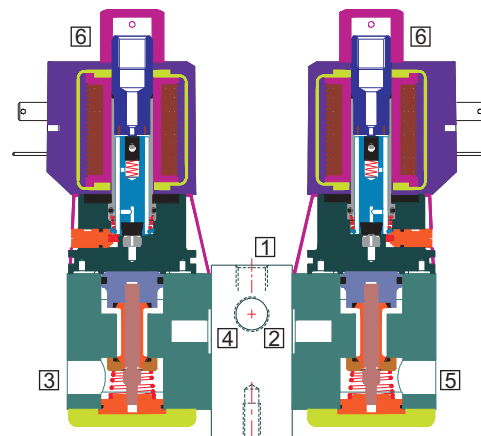
FEATURES

- Bubble tight shut off
- Mounts in any position
- Vibration resistance up to 9g
- Suitable for high speed cycling
- Speed up to 600 cycles/ min
- Life >10 million cycles



WETTED PARTS

Code	※	B1	B2	B5
Body	Anodized Aluminium	Anodized Aluminium	Brass	SS 316
Internals	Aluminium, Brass and SS 316	SS 316	Brass and SS 316	SS 316
Guide Assembly	SS 304			
Shadow-Ring	Copper/ Silver/ None			
Plunger, Insert	SS 430			
Spring/ Circlip	SS 302			
Seat, Seals	NBR, Viton, F.Silicon			
Fasteners	SS 304			



AMBIENT AND FLUID TEMPERATURE

-30 °C to 75 °C

SPECIAL VERSION AND SUFFIX

Suffix : (Valve) AM
 Special version : (Solenoid) CO, FR, SS, III

MEDIA

Air, Inert Gases

APPLICATION

Double acting actuator/ Cylinder, control valve proportionate actuation

PORT CONNECTION

INLET	OUTLET	OUTLET	EXHAUST	EXHAUST	PILOT EXHAUST
1	2	4	3	5	6

Contact Rotex for

- Any other ambient, fluid temperature, media and application
- UL listed, Listed general purpose Valve



SPARES

(Refer page 25 for ordering code)

SPARE KIT	CODE
Seal Kit : Oring Set and Plunger Assembly	98
Repair Kit : Oring Set, Plunger Assembly, Fastener, Springs, Manual Override Guide Assembly, Piston Kit	99
Solenoid Kit : Solenoid, Gasket and Nut	34

APPROVAL

(* applied for)

Approval	TYPE 4X, 6P	IP67	Ex d IIC T4 or T5 or T6 IP66	Ex ia IIC T6 IP67	DGMS	CCOE
		✓	✓	✓	✓	✓
		✓	✓	✓		
	✓		*			
			✓	✓		
			✓	✓		
			✓	✓		



5/3 INTERNAL PILOT OPERATED, CENTER OFF POPPET SOLENOID VALVE

SPECIFICATION

SIZE	PORT CONNECTION		PRE-SSURE bar	ORIFICE (mm)	FLOW FACTOR kv (LPM OF WATER @ 1 bar ΔP)	VALVE TYPE	PILOT PRESSURE	BODY MATERIAL AND INTERNALS				SEALS			MANUAL OVERRIDE	SOLENOID ENCLOSURE				SUFFIX		POWER VA		CONSTRUCTION REFERENCE NUMBER			
	BSF(F)	NPT(F)						MINIMUM	MAXIMUM	ALUMINIUM	ALUMINIUM + SS	BRASS (STD. PORT NPT)	SS 316/CF8 (STD. PORT NPT)	NBR		Viton	EPDM	HYTREL	F.Silicon	NIL	STAYPUT CUM MOMENTARY	MOMENTARY	FLYING LEAD		PLUG IN, IP67	SQ. PLUG IN, IP67	TERMINAL BOX IP67
1/4"	2G	2R	2	10	6	12	51408	*	B2	B5	*	S2			M0	*	22	25	T	E	III	14	✓		12	8	572
3/8"	3G	3R	2	10	6	12	51408	*	B2	B5	*	S2			M0	*	22	25	T	E	III	14	✓		12	8	573
			2	10	10	38	51412	*	B2	B5	*	S2	S19	M0	*	22	25	T	E	III	14	✓		12	8	568	
1/2"	4G	4R	2	10	6	12	51408	*	B2	B5	*	S2			M0	*	22	25	T	E	III	14	✓		12	8	573
			2	10	16	75	51412	*	B2	B5	*	S2	S19	M0	*	22	25	T	E	III	14	✓		12	8	569	
3/4"	6G	6R	3	10	20	110	51412	*		B5	*	S2	S19	M0	*	22	25	T	E	III	14	✓		12	8	570	
1"	8G	8R	3	10	25	185	51412	*		B5	*	S2	S19	M0	*	22	25	T	E	III	14	✓		12	8	571	

Cable Entry	T	OcA	E	OcA	OcA
M20 x 1.5	FJ	HU	ITU	ITU	ITU
M25 x 1.5					
1/2" NPT	F	H	ITU	ITU	ITU

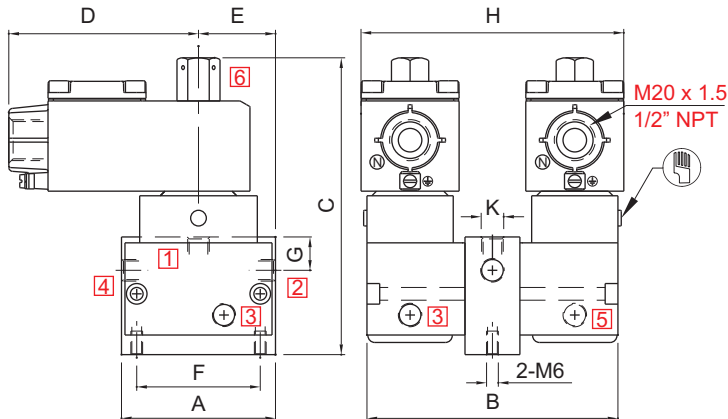
* = Do not specify when opted for. Refer Page # 22 for Value of *
 ✓ = Options available

ORDERING CODE AND EXAMPLE VALVE + SOLENOID

TYPE - SUFFIX - ORIFICE - PORT CONNECTION - BODY AND INTERNALS - MANUAL OVERRIDE - SEAL + SIZE - VOLTAGE - CURRENT - SOLENOID ENCLOSURE - APPROVAL - INSULATION - SPECIAL VERSION
 e.g. 51408-6-2R-S2+220V 50Hz-16

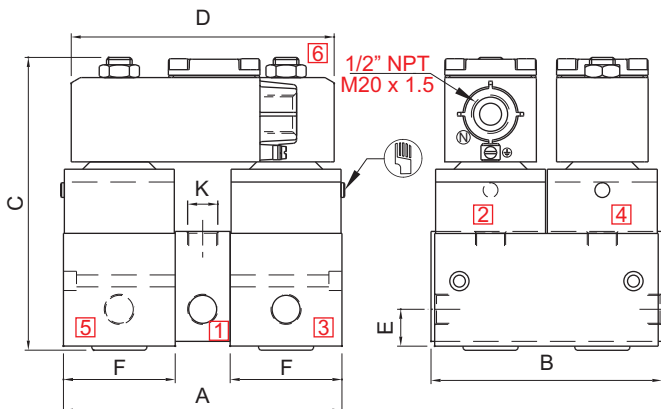
DIMENSIONS

All Dimensions are in mm



TERMINAL BOX/ Ex d LARGE ENCLOSURE, TYPE 16, 19, 37, 39, 58, 58LT

NW	K (PORT SIZE)	A	B	C	D	E	F	G	H	CONST. REF.
VALVE TYPE : 51408										
6	1/4"	78	128	151	97	39	63	17	134	572
6	3/8"	78	132	151	97	39	63	13	138	573
6	1/2"	78	132	151	97	39	63	13	138	573



TERMINAL BOX/ Ex d LARGE ENCLOSURE, TYPE 16, 19, 37, 39, 58, 58LT

NW	K (PORT SIZE)	A	B	C	D	E	F	CONST. REF.
VALVE TYPE : 51412								
10	3/8"	152	126	160	144	20	61	568
16	1/2"	197	170	180	168	26	81	569
20	3/4"	202	170	197	173	28	81	570
25	1"	210	170	197	181	28	81	571

